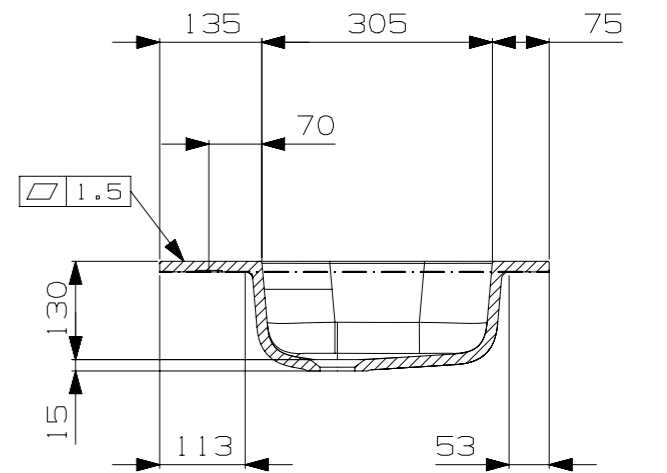
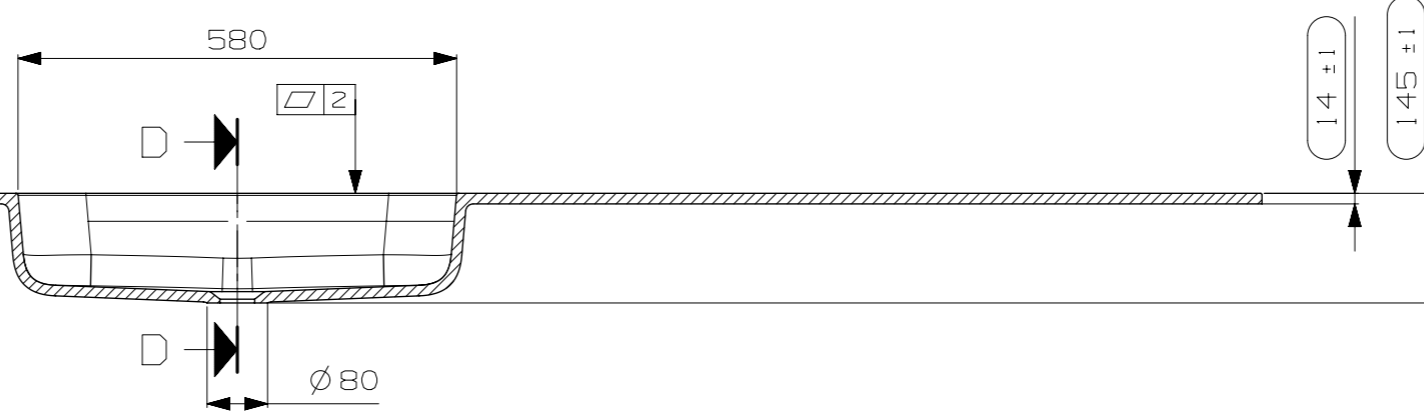
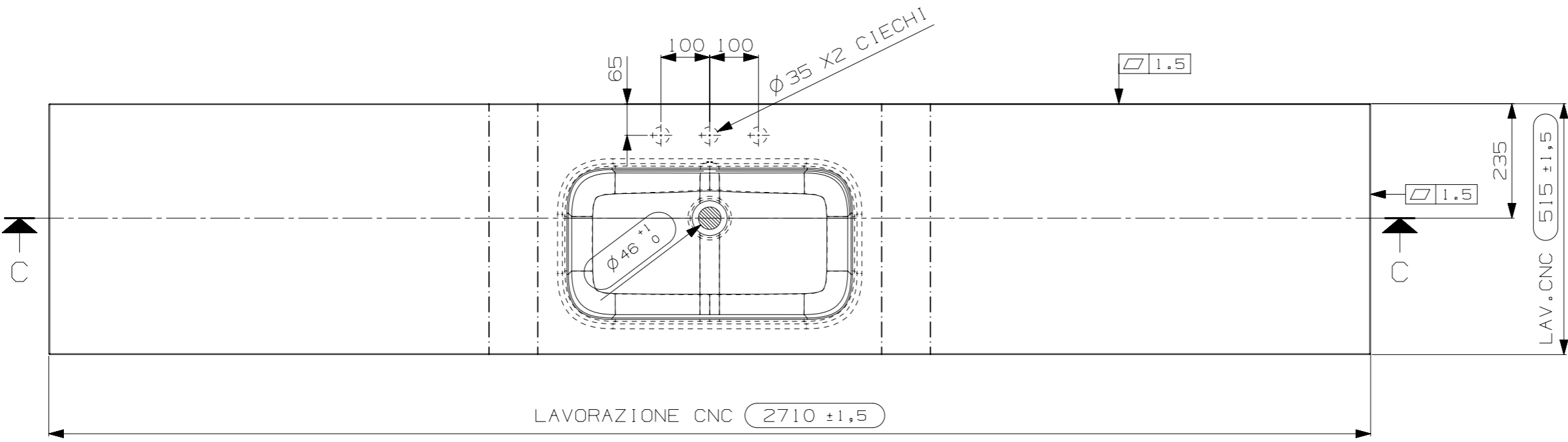


R2 +0,5  
POST-LAV

SECTION C-C  
SCALE 1:10



SECTION D-D  
SCALE 1:10



SCALE 1:10

C00619A  
TORO BATH