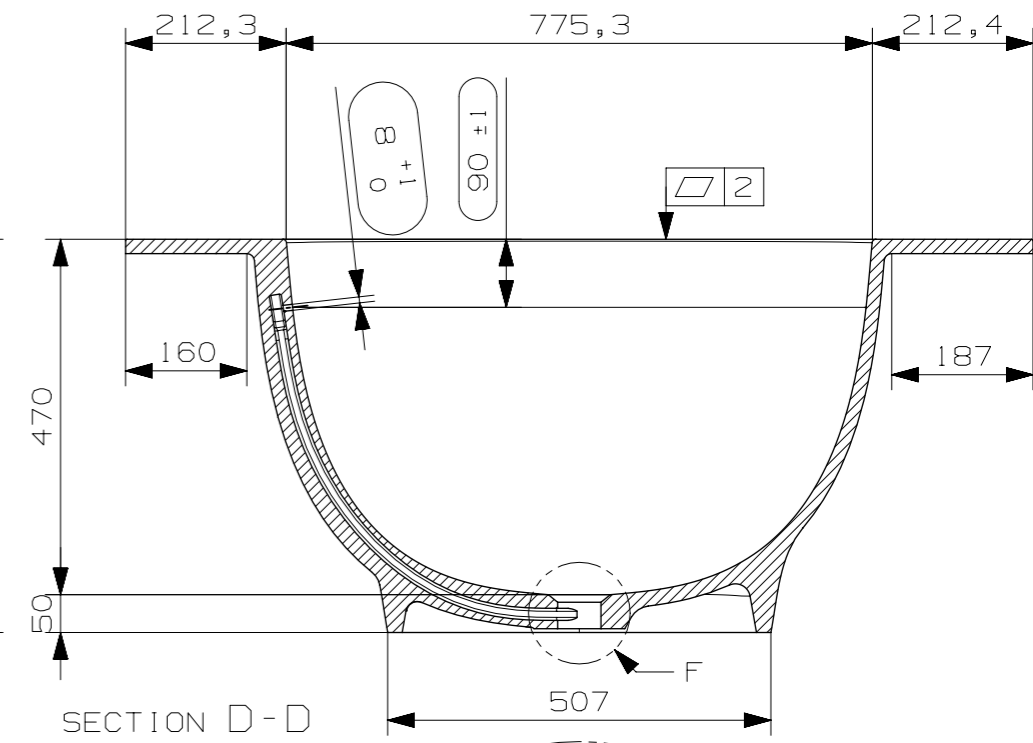
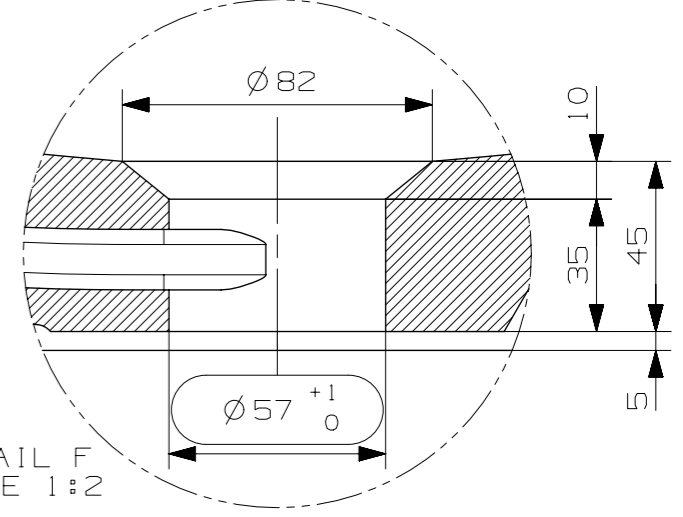


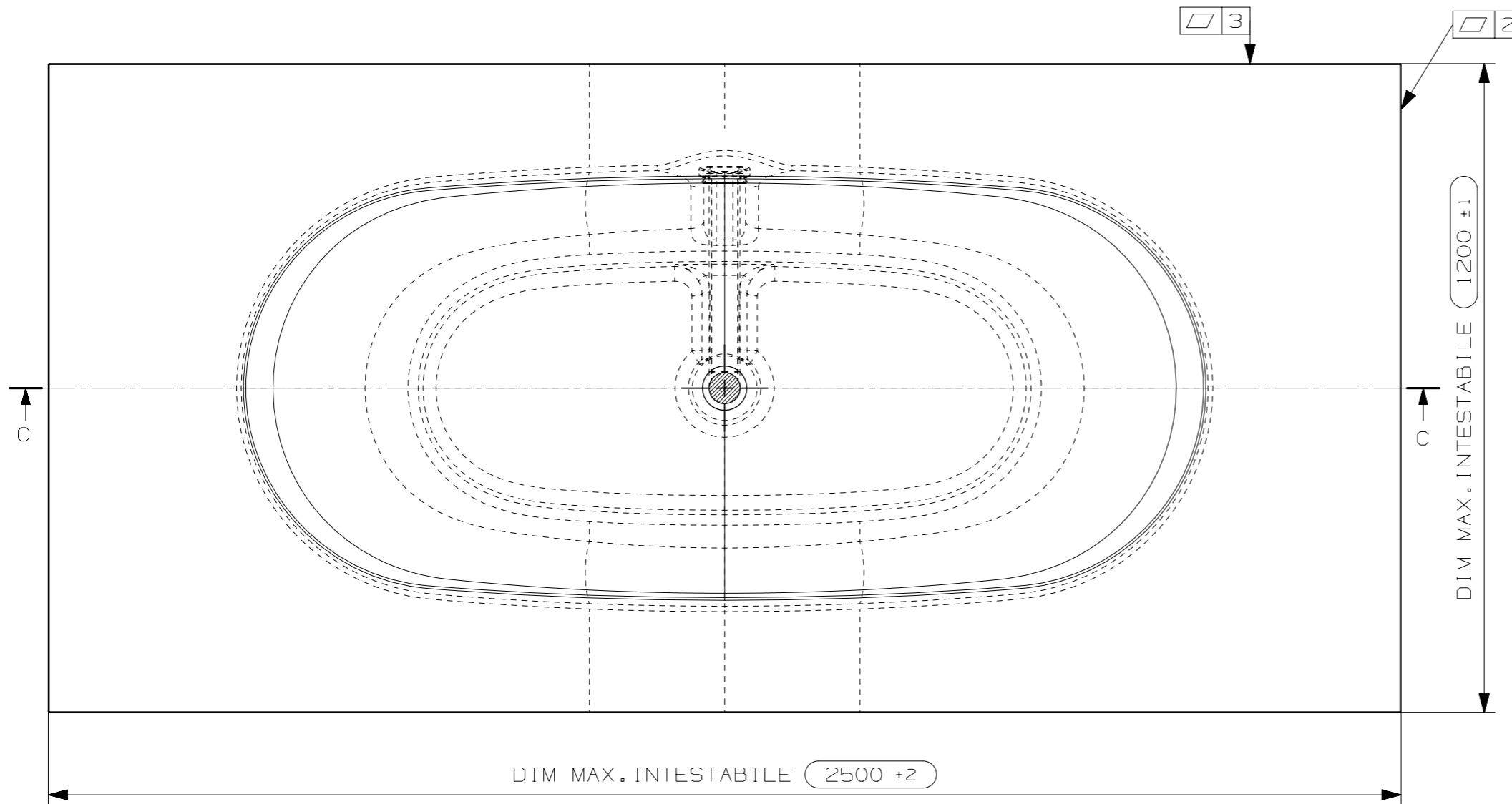
SECTION C - C



SECTION D - D



DETAIL F
SCALE 1:2



DIM MAX. INTESTABILE 2500 ± 2

DIM MAX. INTESTABILE 1200 ± 1

N° STAMPO/Mould Number
C00849A
PROG. 13-103