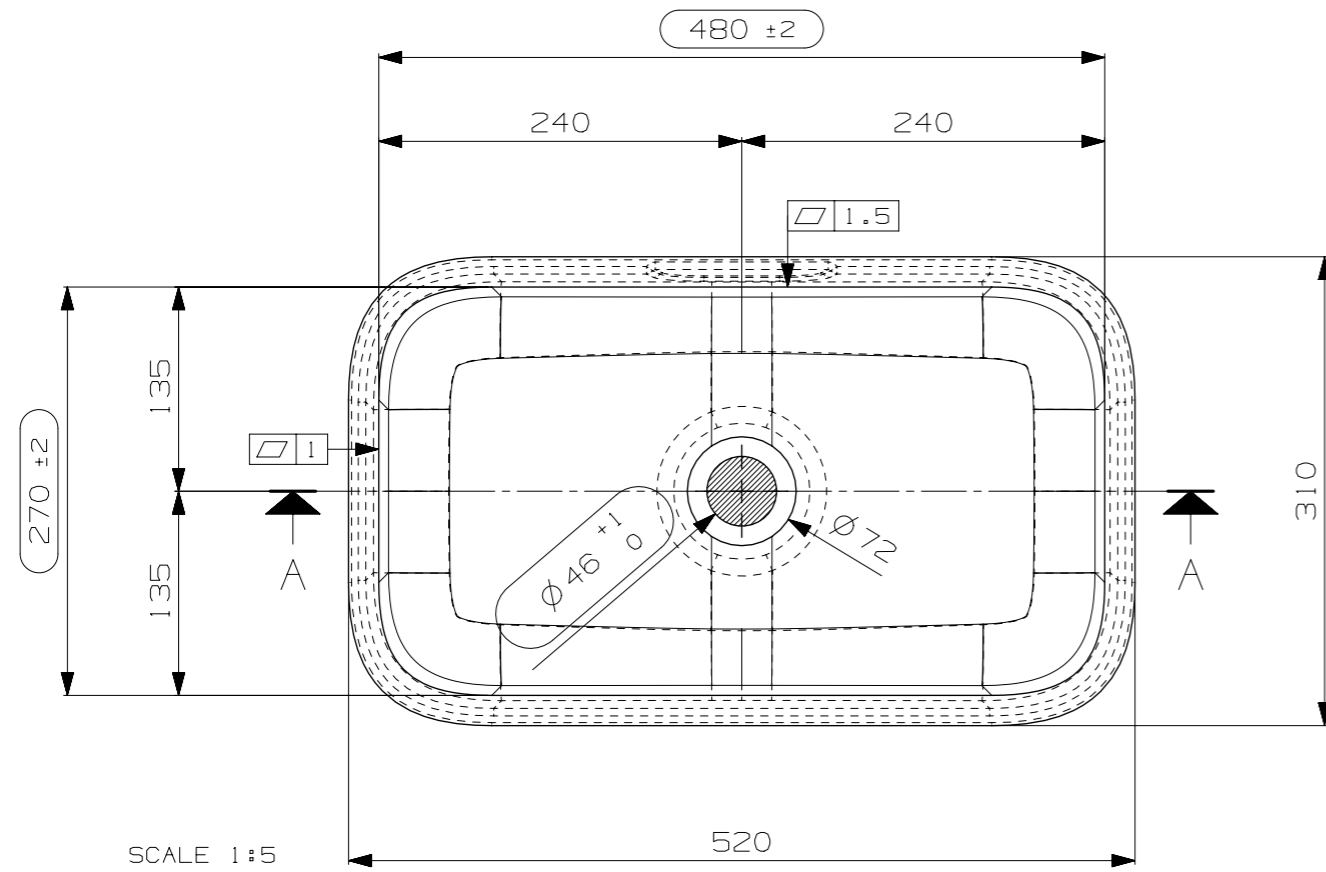


SECTION B-B  
SCALE 1:5



N° STAMPO/Mould Number  
**CO1140A**  
 TORO BATH