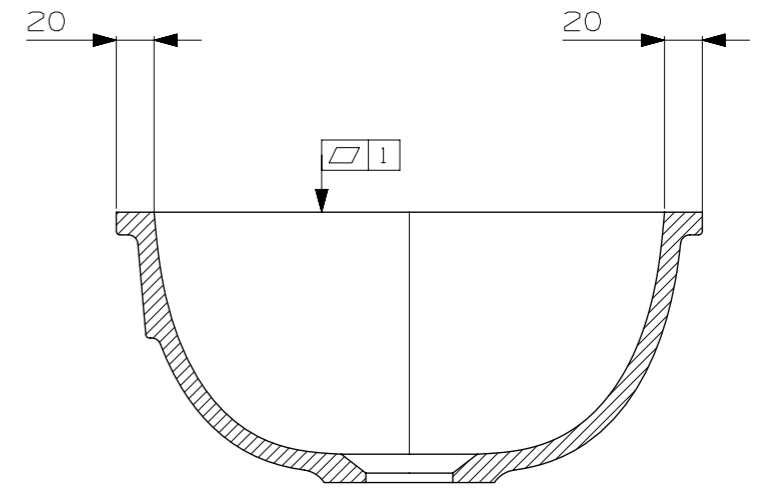
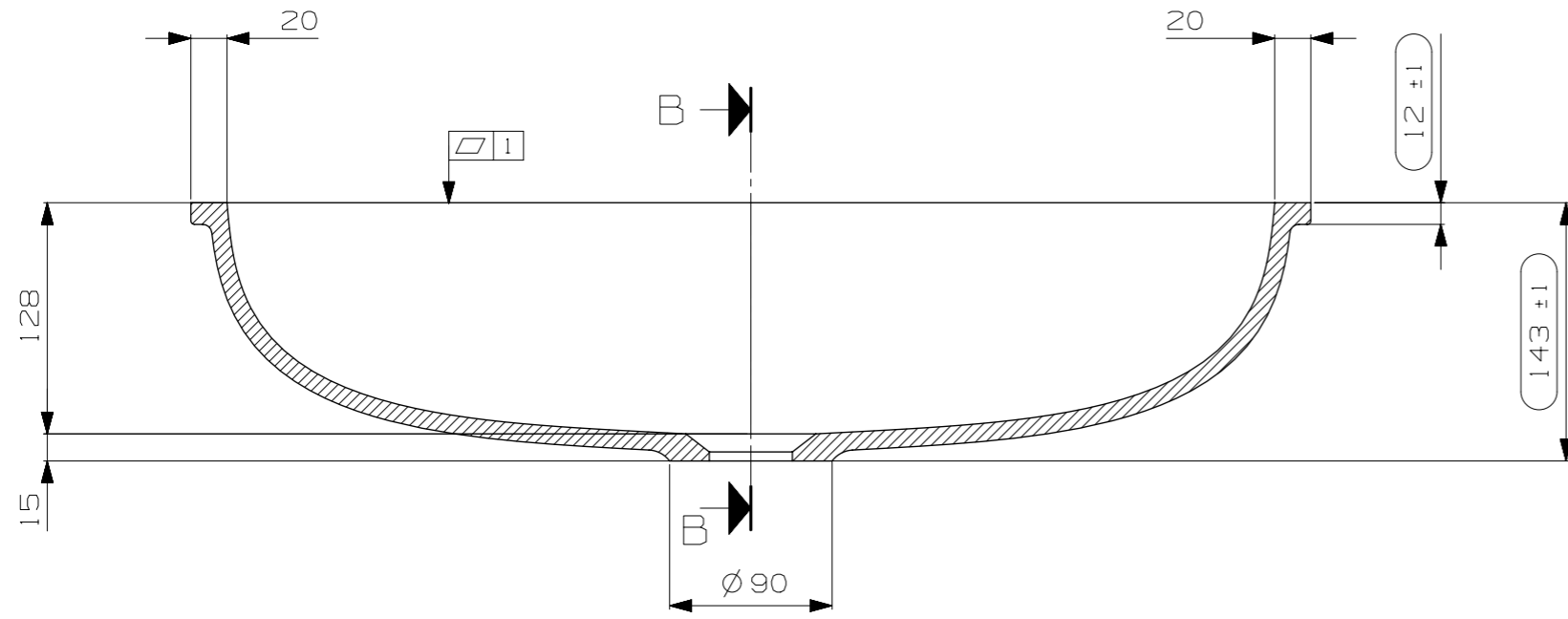
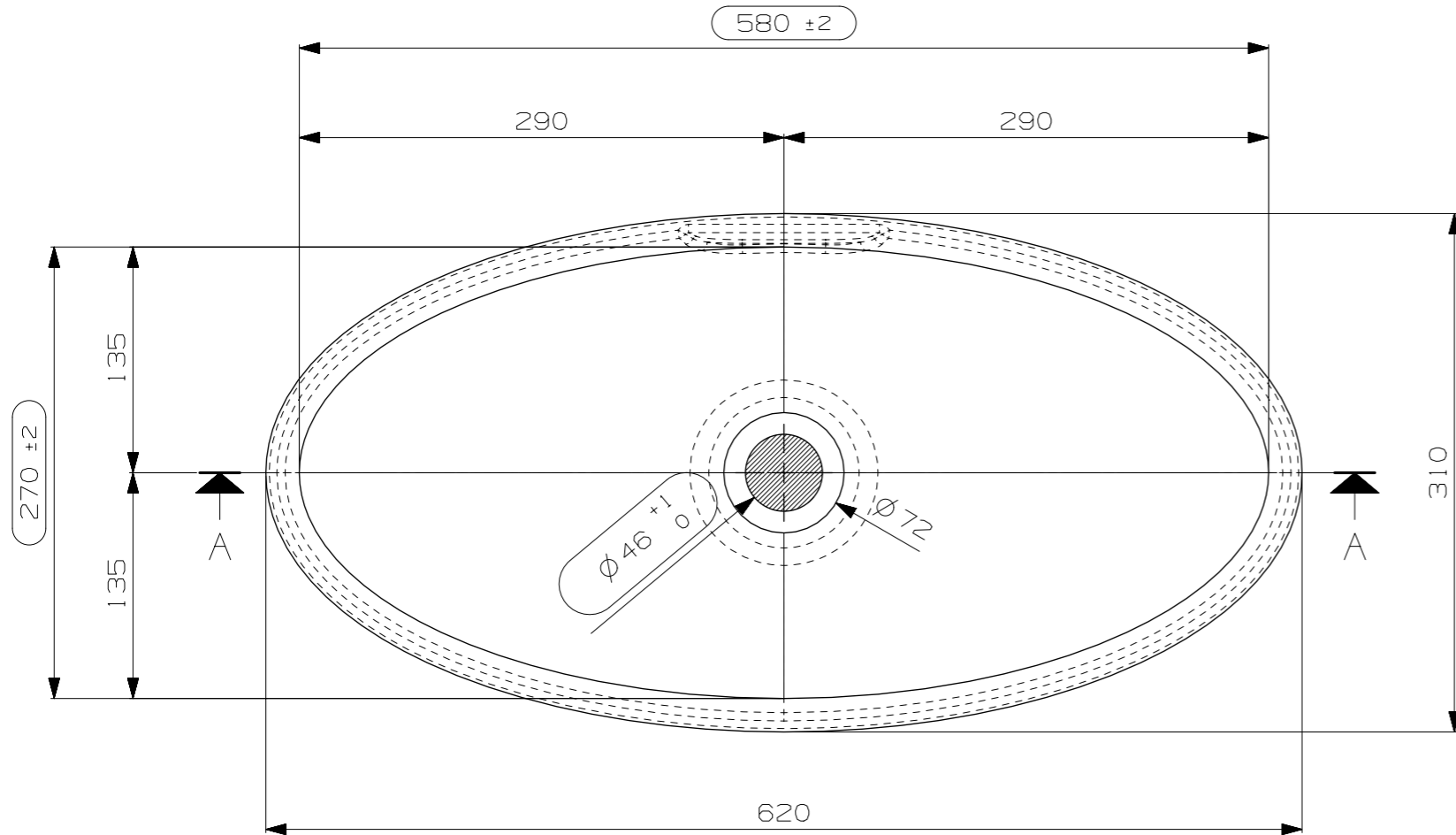


SECTION A-A  
SCALE 1:4



SECTION B-B  
SCALE 1:4



SCALE 1:4

N° STAMPO/Mould Number  
C01142A  
TORO BATH