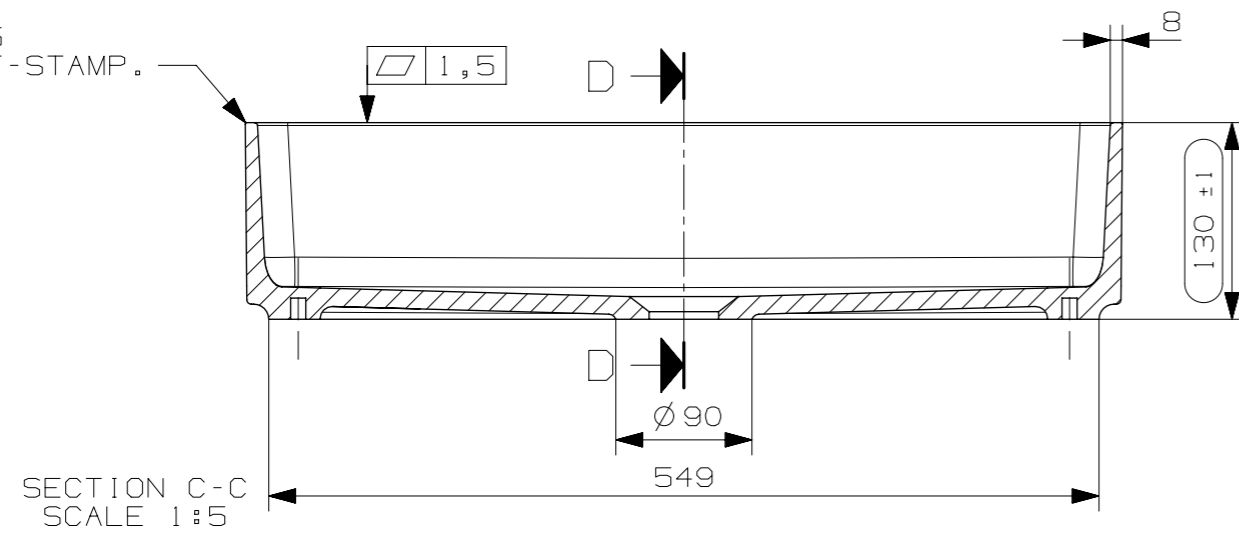
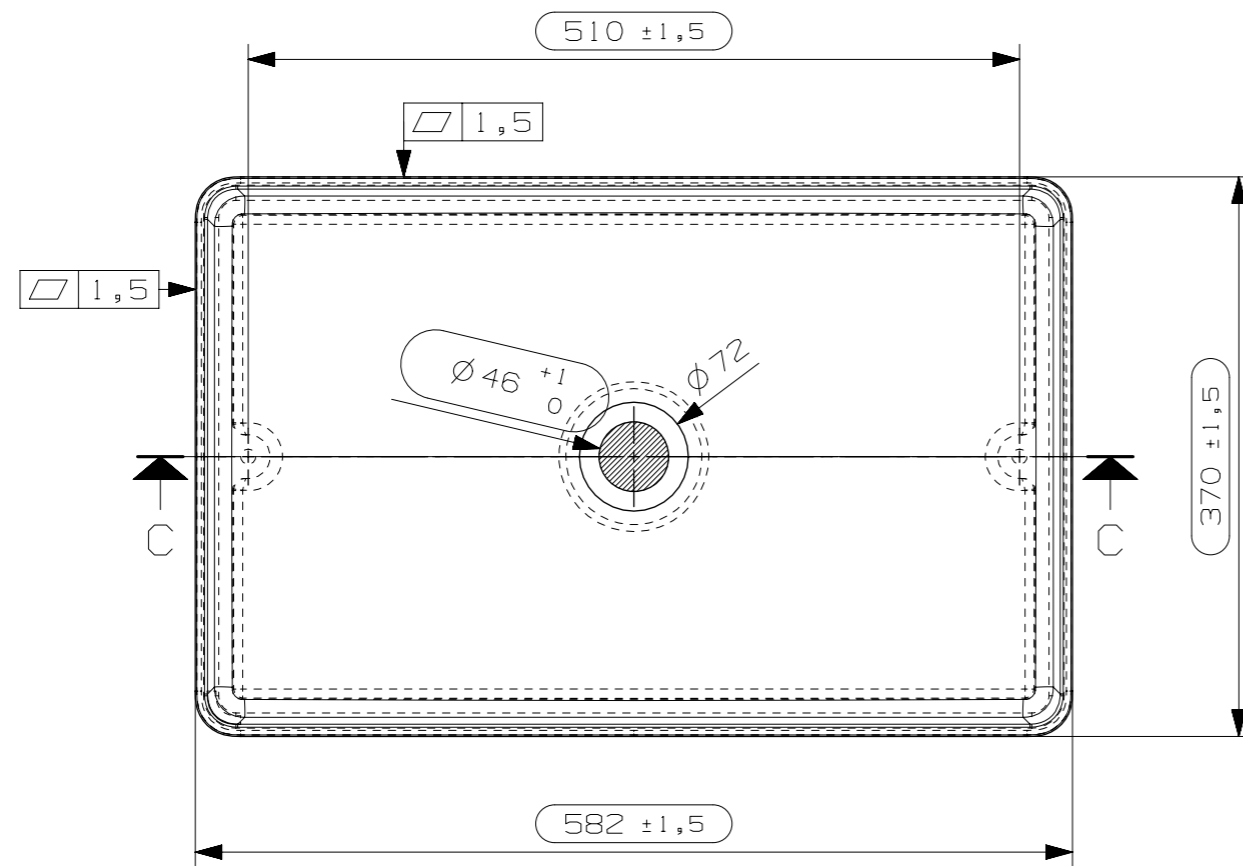
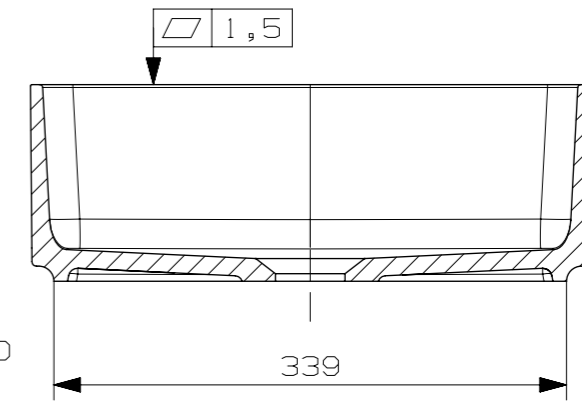


R0,5
POST-STAMP.



SECTION D-D
SCALE 1:5



N° STAMPO/Mould Number

M07347A

TORO BATH