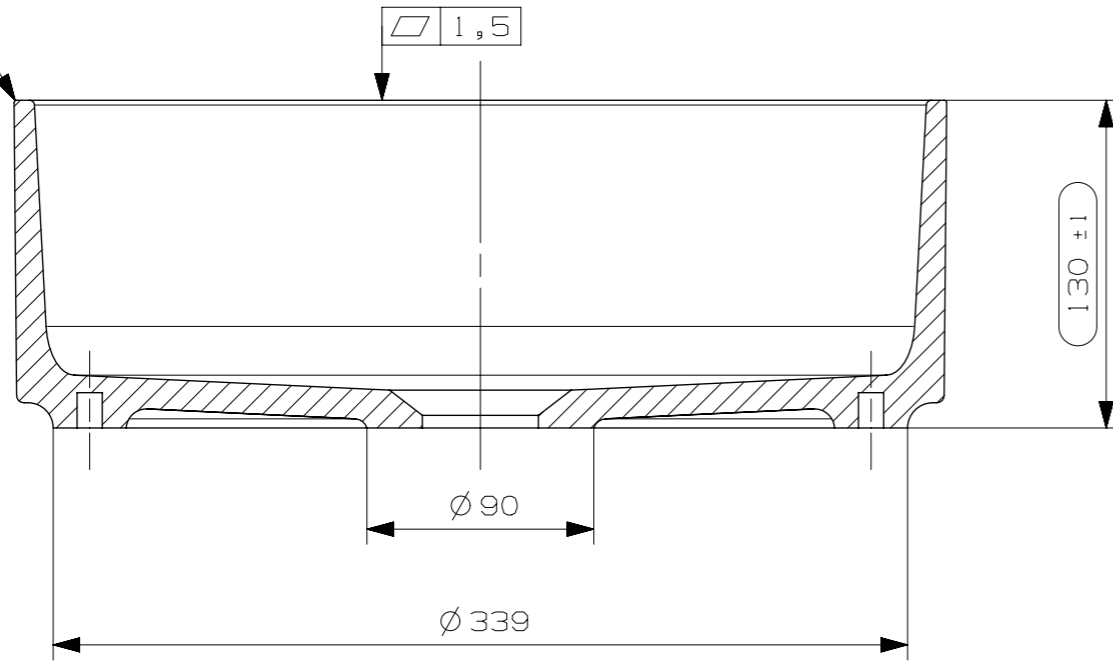


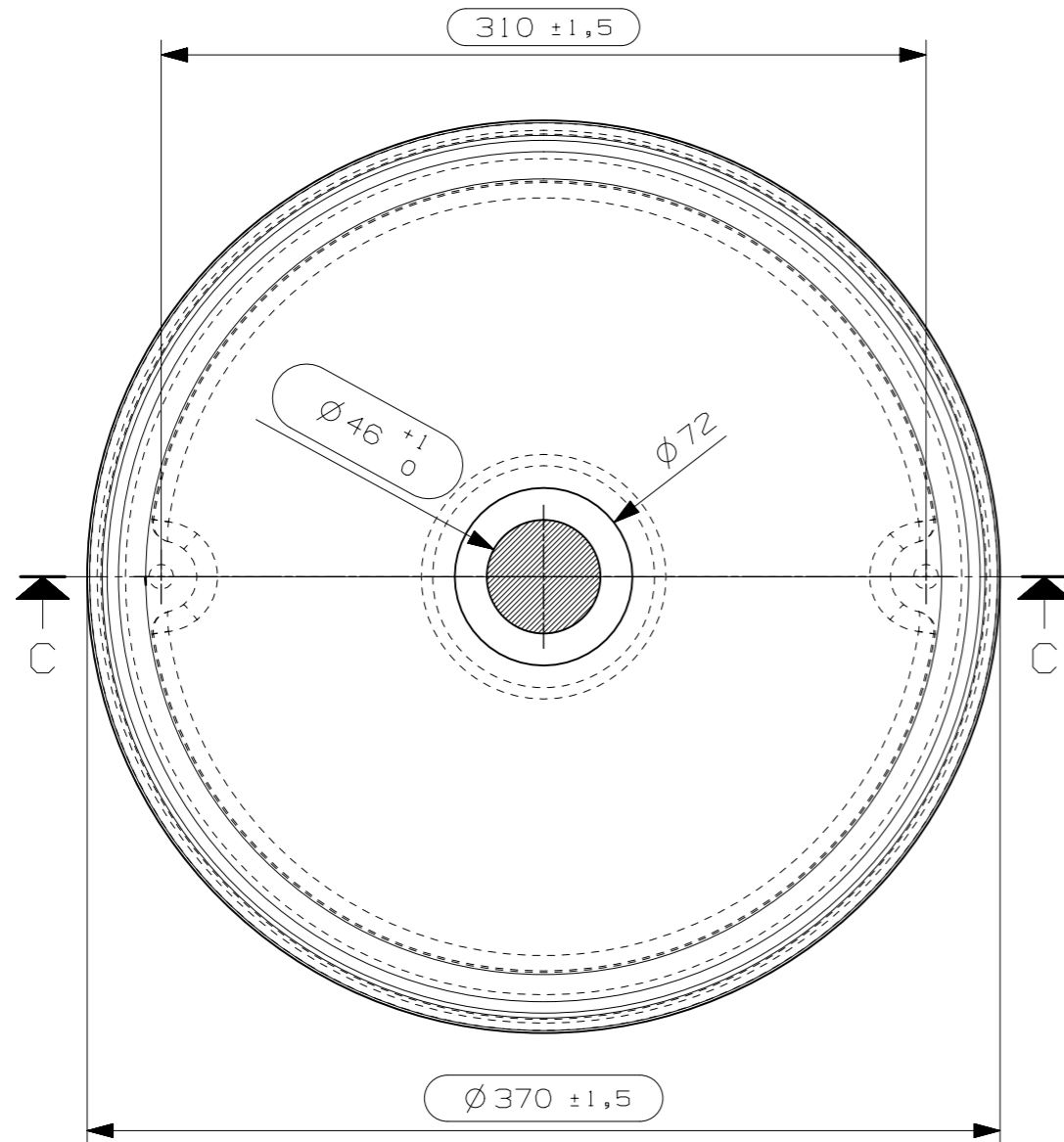
R0,5
POST-STAMP.

1,5

SECTION C-C
SCALE 1:3



310 $\pm 1,5$



N° STAMPO/Mould Number

M07349A

TORO BATH