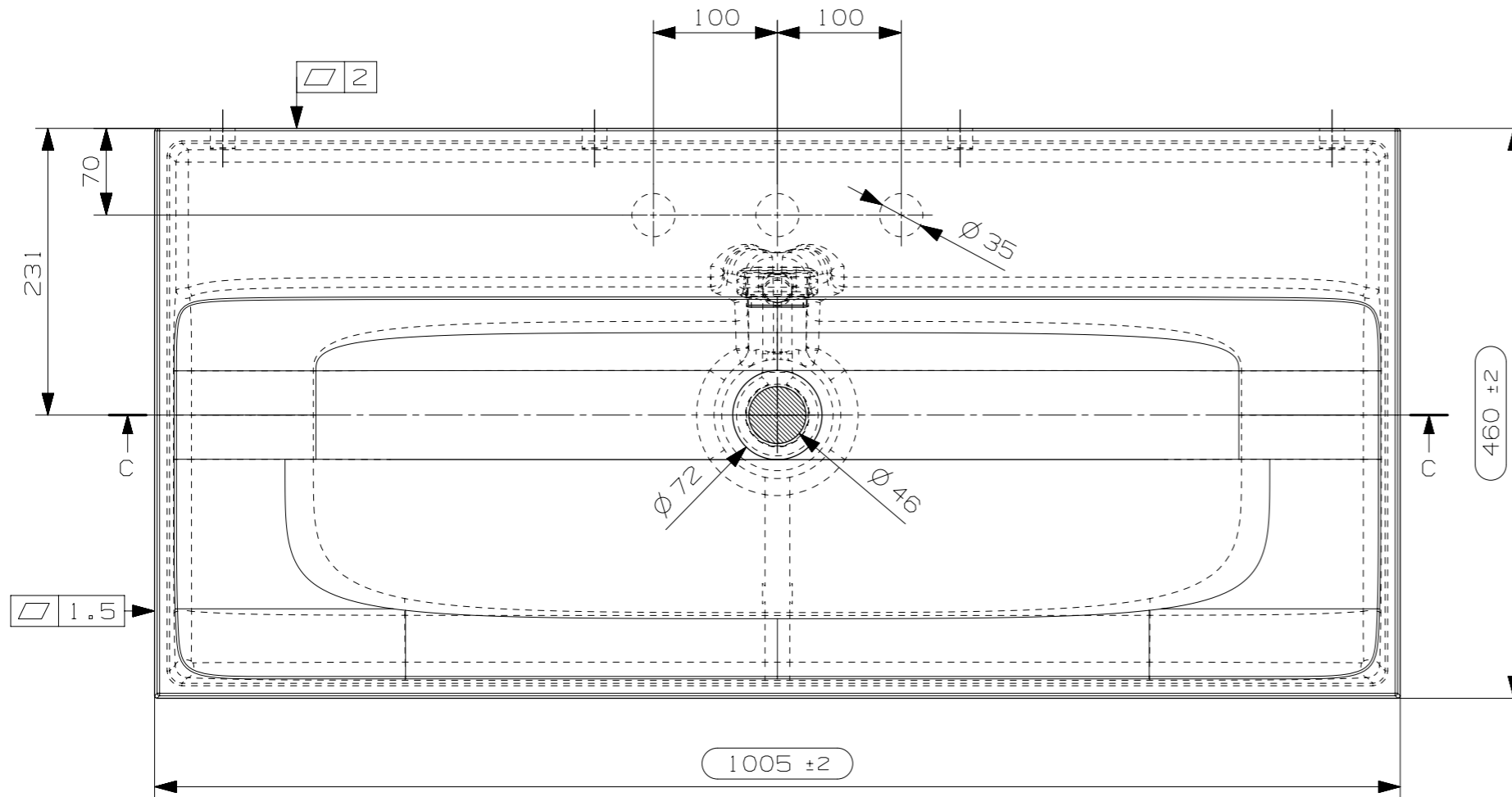


SECTION C-C



N° STAMPO/Mould Number
M07742
 TORO BATH