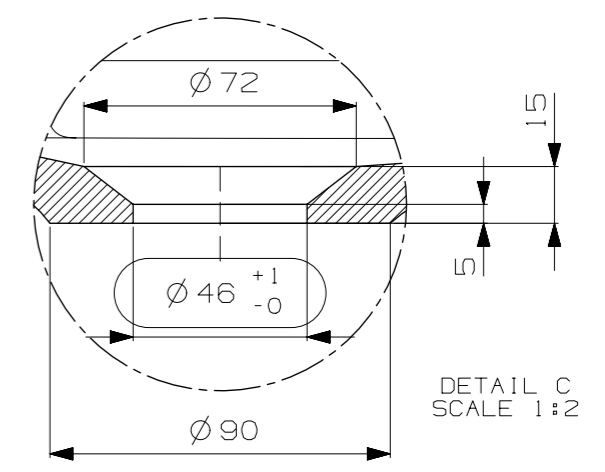
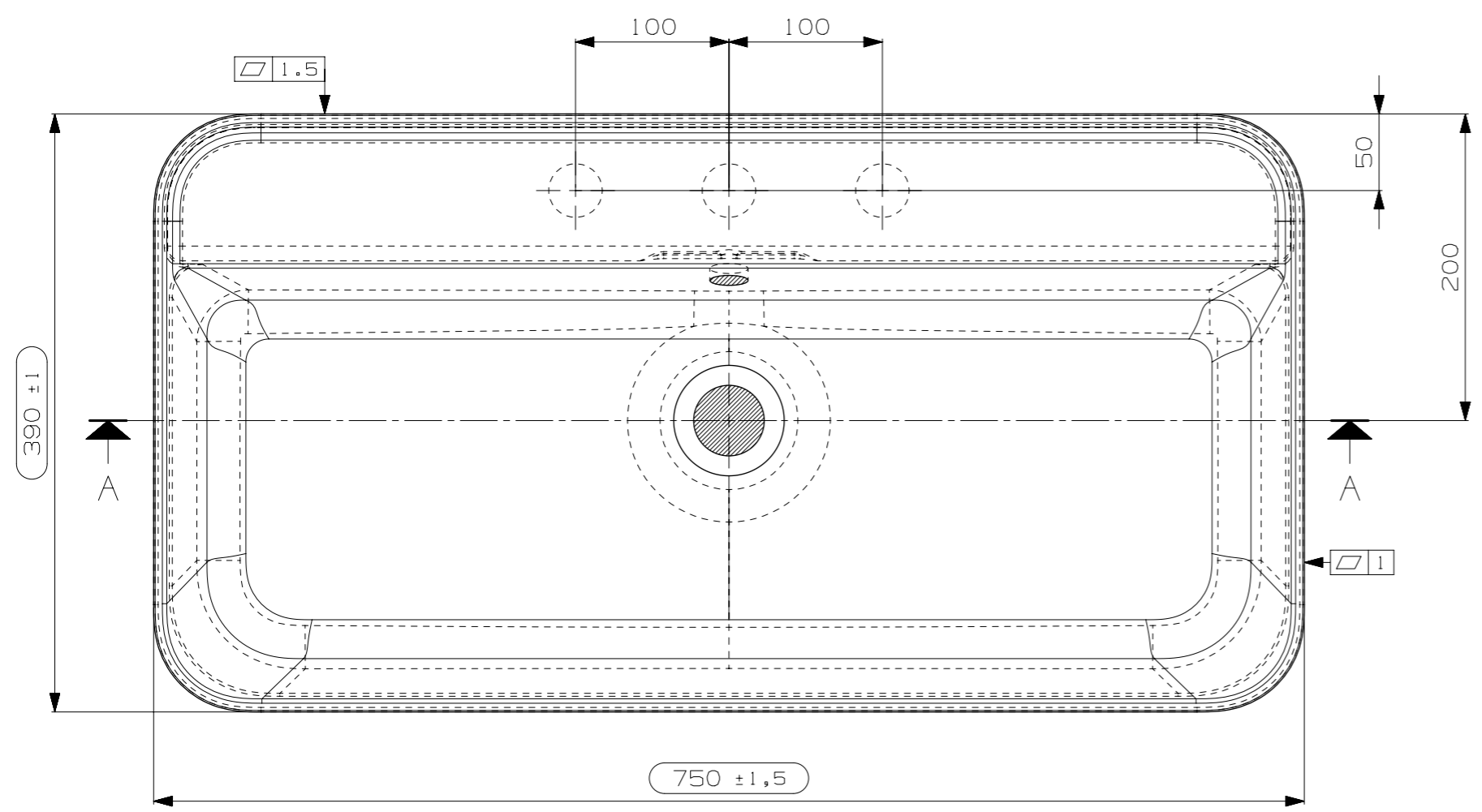


SECTION A-A  
SCALE 1:4

SECTION B-B  
SCALE 1:4



N° STAMPO/Mould Number  
M07797A  
TORO BATH