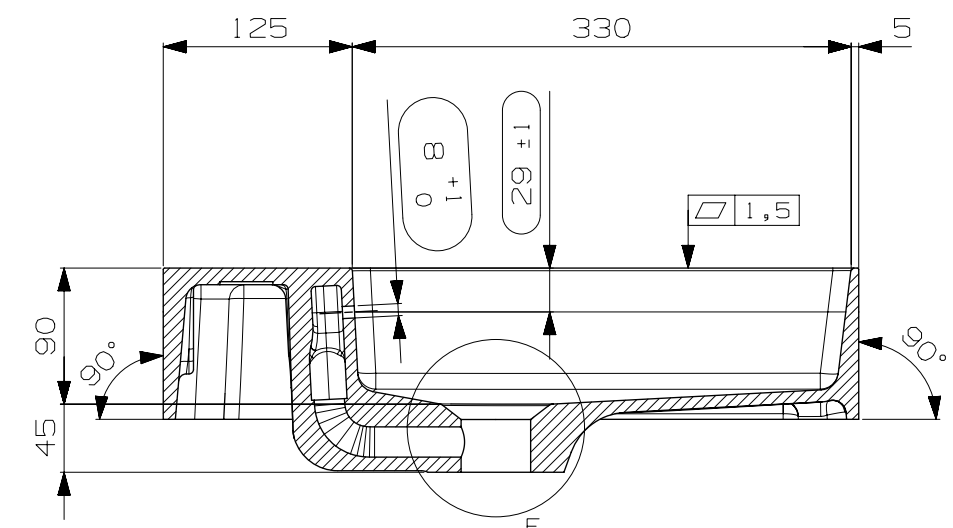
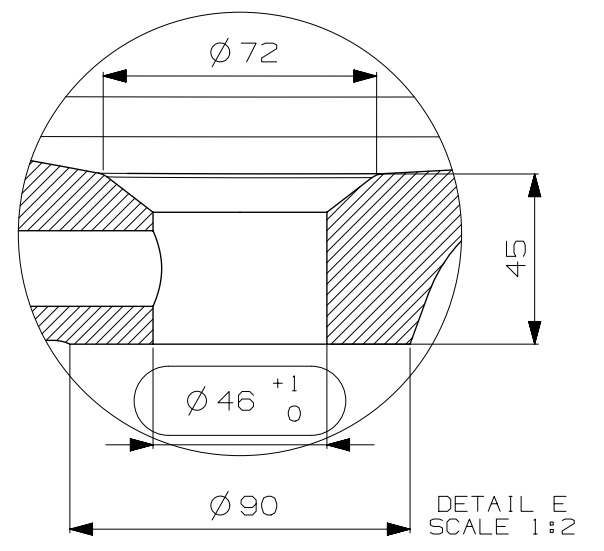


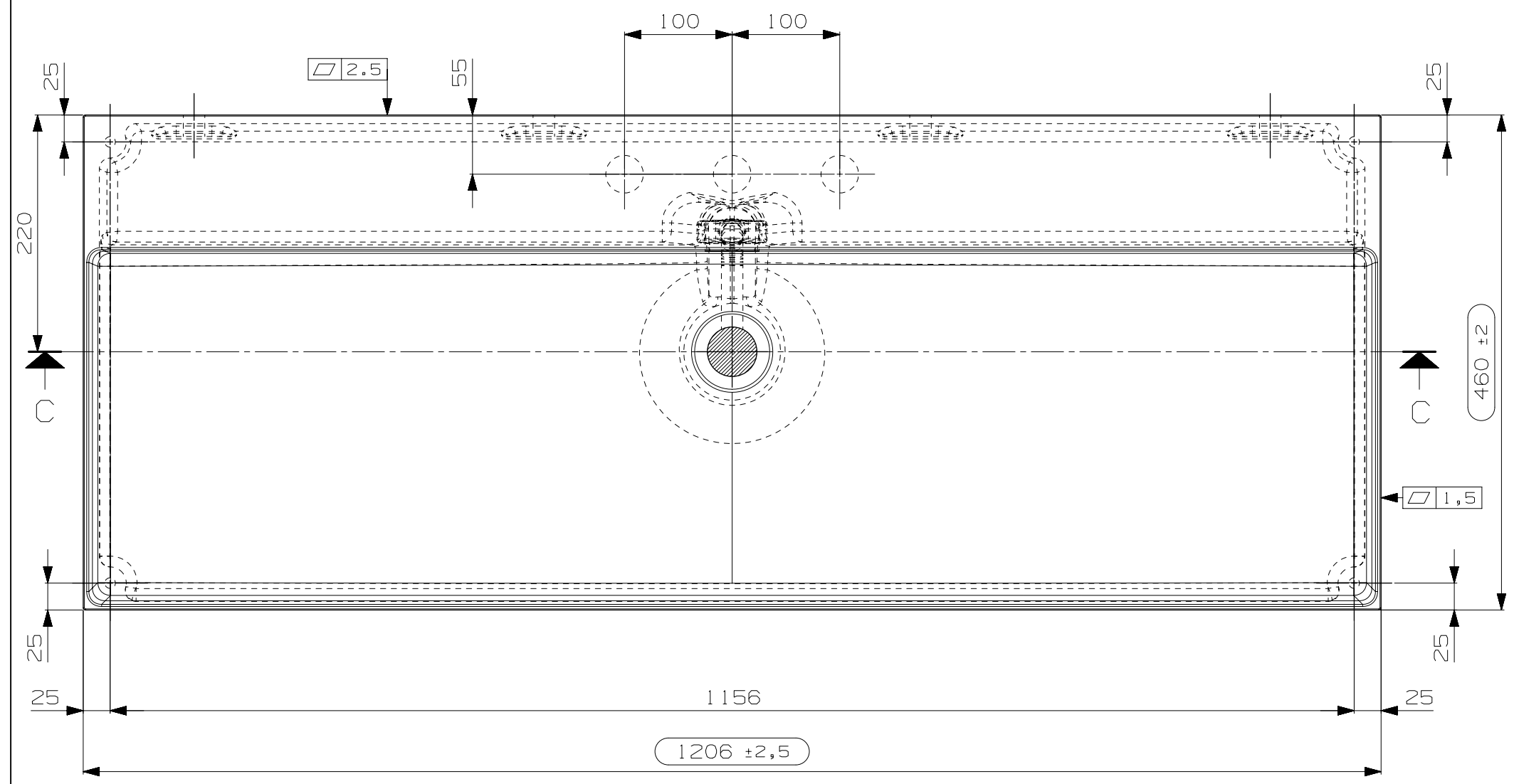
SECTION C-C  
SCALE 1:5



SECTION D-D  
SCALE 1:5



DETAIL E  
SCALE 1:2



SCALE 1:5

N° STAMPO/Mould Number  
M08041A  
TORO BATH