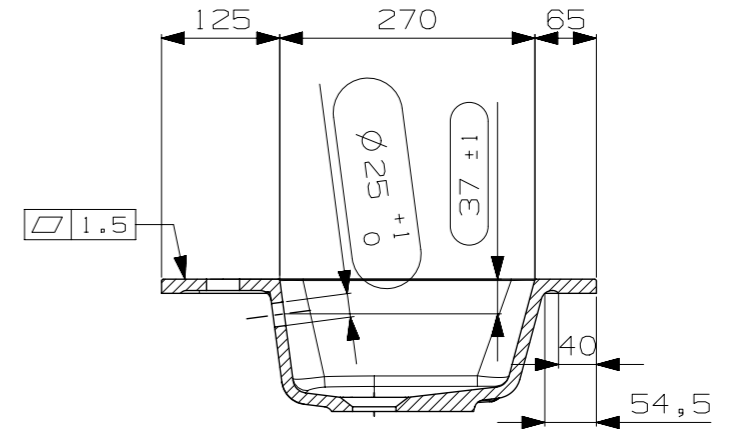
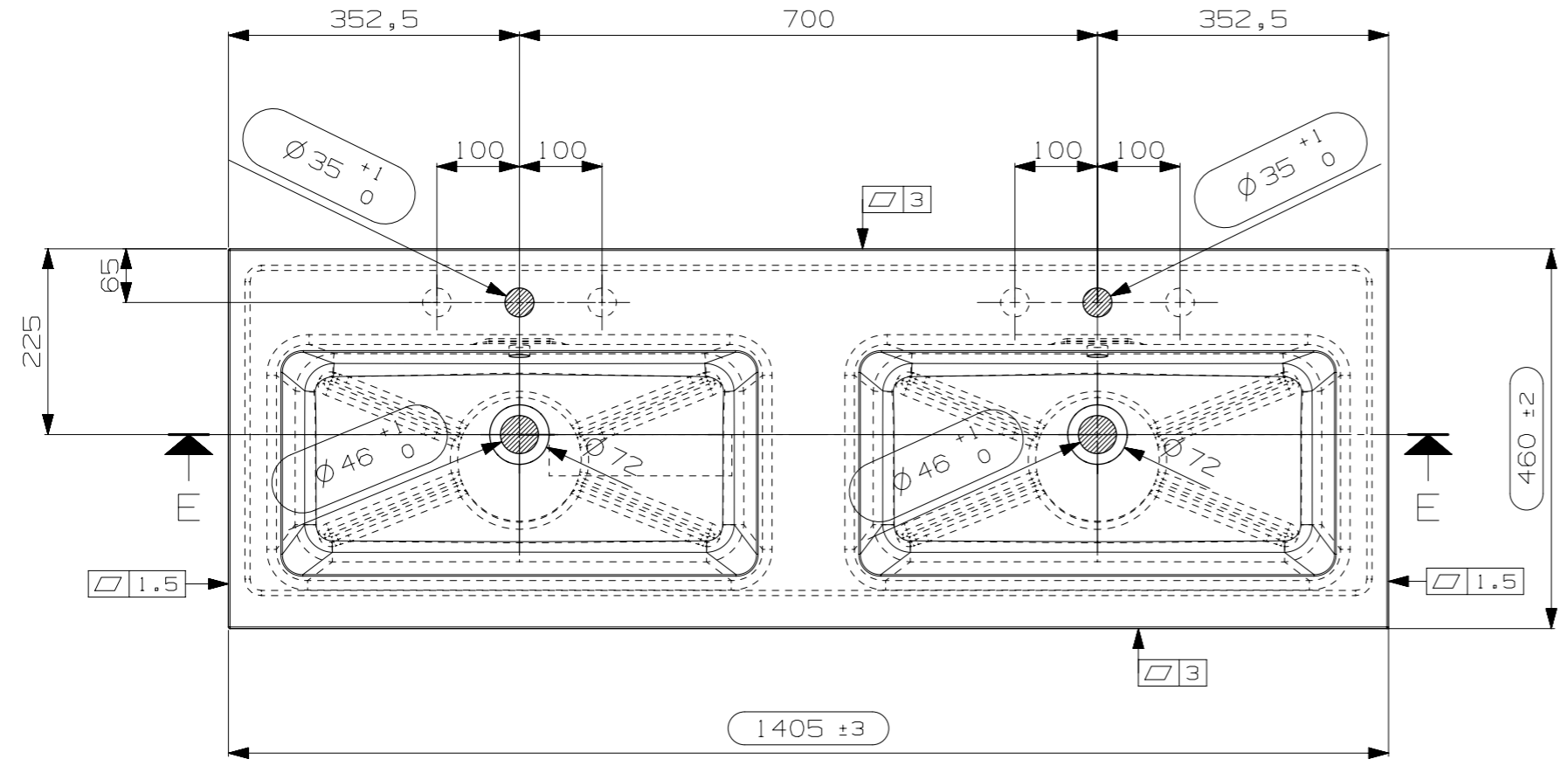


SECTION E-E  
SCALE 1:8



SECTION F-F  
SCALE 1:8



N° STAMPO/Mould Number  
**M08131B**  
 TORO BATH