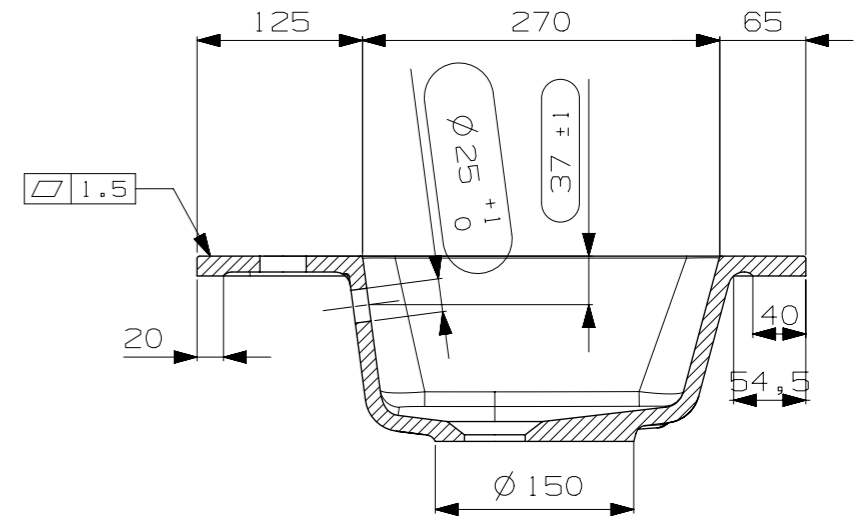
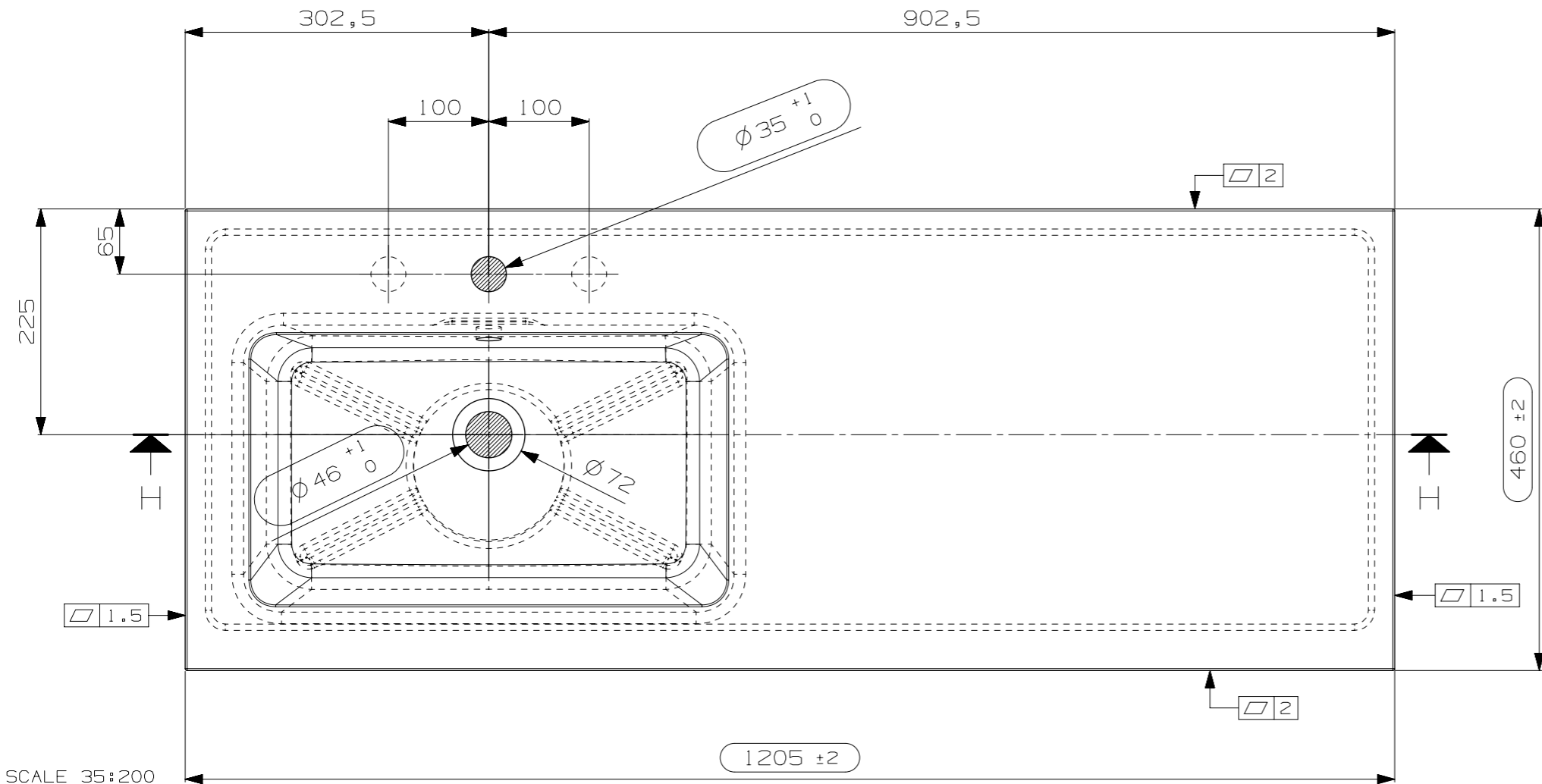


SECTION H-H  
SCALE 35:200



SECTION I-I  
SCALE 35:200



SCALE 35:200

N° STAMPO/Mould Number  
M08210B  
TORO BATH