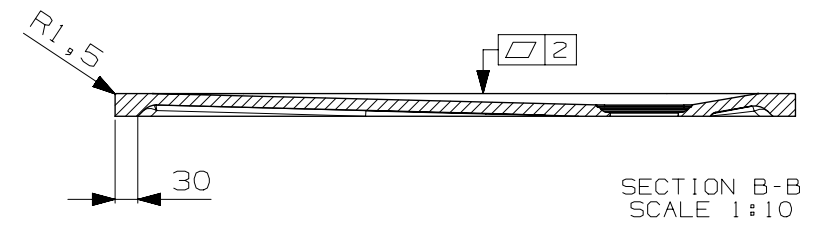
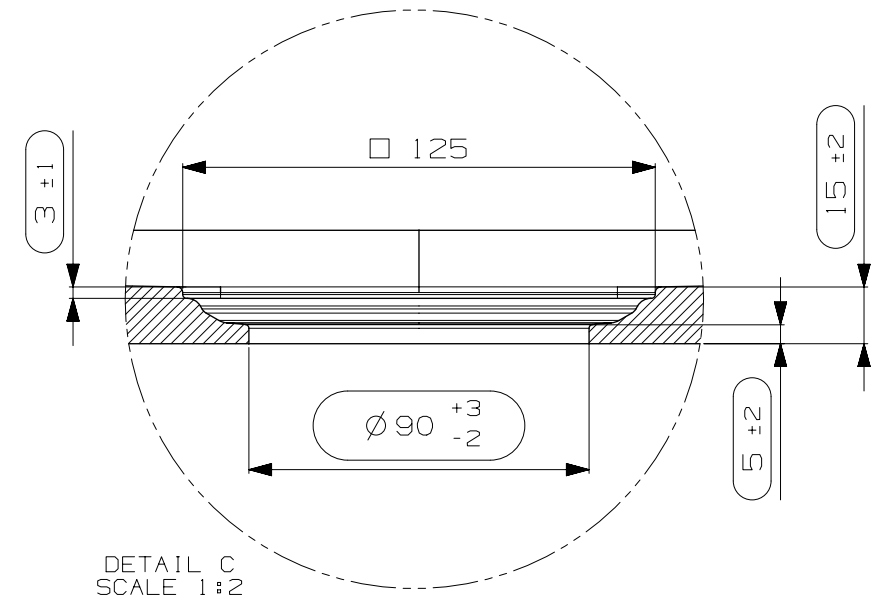
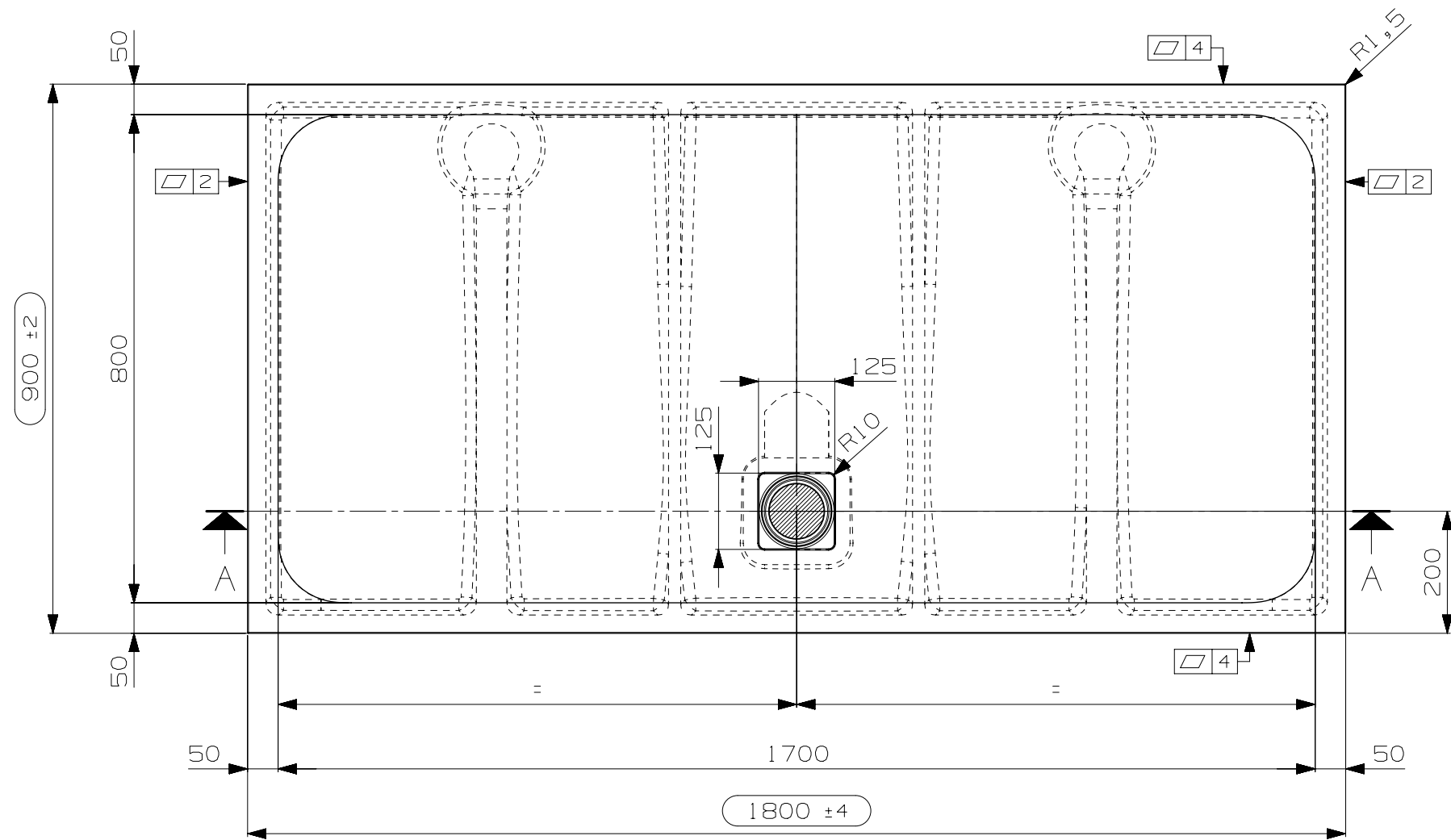


SECTION A-A
SCALE 1:10



SECTION B-B
SCALE 1:10



DETAIL C
SCALE 1:2

N° STAMPO/Mould Number
M07950A
TORO BATH